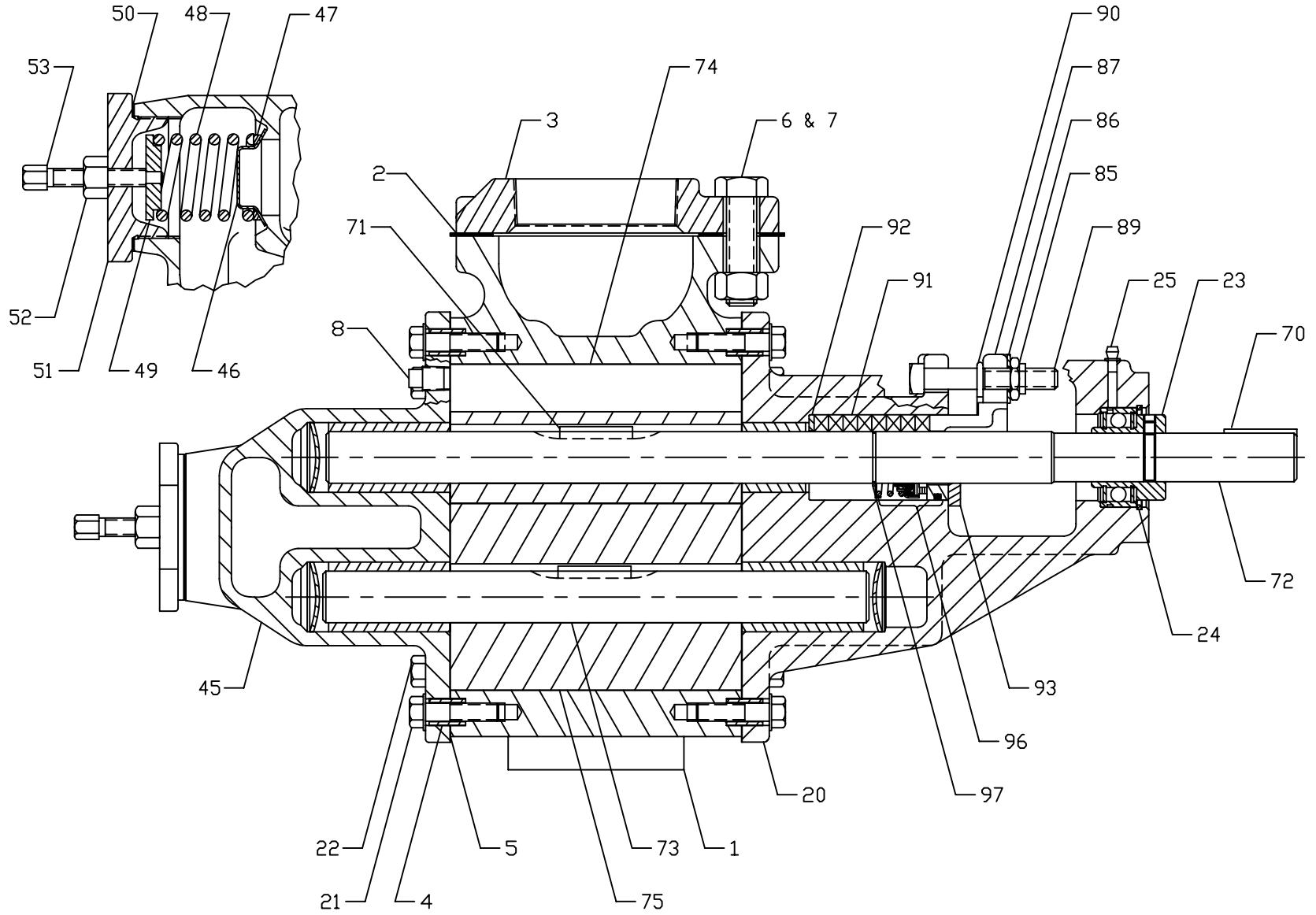


# ROPER 3611 Thru 4722 HB,F,RV PUMP FOR PTO DRIVE



3611-4722 HB,F,RV

## 3611-4722 HB,F,RV PTO Driven Pump

KEY NO.	DESCRIPTION	3611-4711		3617-4717		3622-4722	
		QTY	PART NO.	QTY	PART NO.	QTY	PART NO.
1	Case (36xx-37xx HB)	1	P1-178	1	P1-177	1	N/A
	Case (36xx-37xx HBF)	1	P1-401	1	P1-402	1	P1-175
	Case (46xx-47xx HBF)	1	P1-170	1	P1-181	1	P1-171
2	Gasket, Flange	2	D11-333	2	D11-332	2	D11-90
3	Flange (36xx-37xx)	2	P23-30	2	P23-12	2	P23-10
	Flange (46xx-47xx)	2	P23-30	2	P23-35	2	P23-19
4	Dowel Pin	4	D48-34	4	D48-34	4	D48-34
5	Case Gasket	2	D11-338	2	D11-338	2	D11-338
6	Hex Hd Cap Screw	8	G49-050150	8	G49-050125	8	G49-062225
7	Nut, Flange		N/A		N/A	8	G44-062
8	Pipe Plug	2	G56-12	2	G56-12	2	G56-12
20	Backplate Assy, Brz Brgs	1	N2-403	1	N2-403	1	N2-403
21	Washer Hd Cap Screw	4	G49-24	4	G49-24	4	G49-24
22	Hex Hd Cap Screw	16	G49-037100	16	G49-037100	16	G49-037100
23	Ball Brg	1	G40-41	1	G40-41	1	G40-41
24	Ret Ring	1	G41-10	1	G41-10	1	G41-10
25	Lube Ftg	1	G63-1	1	G63-1	1	G63-1
45	Faceplate Assy, Plain, Brz Brgs	1	N3-177	1	N3-177	1	N3-177
	Faceplate Assy, RV, Brz Brgs	1	N3-200	1	N3-200	1	N3-200
46	Poppet	1	D16-16	1	D16-16	1	D16-16
47	Adapter	1	G8-281	1	G8-281	1	G8-281
48	Spring, Std Press	1	G10-355	1	G10-355	1	G10-355
	Spring, High Press	1	G10-375	1	G10-375	1	G10-375
49	Spring Guide	1	D8-348	1	D8-348	1	D8-348
50	Gasket, RV Cap	1	D828-41	1	D828-41	1	D828-41
51	RV Cap	1	P17-110	1	P17-110	1	P17-110
52	Nut, Lock & Seal	1	G43-18	1	G43-18	1	G43-18
53	Adjusting Screw	1	G62-44	1	G62-44	1	G62-44
70	Key, Drive	1	D30-9	1	D30-9	1	D30-9
71	Key, Gear	2	D30-9	2	D30-9	2	D30-9
72	Drive Shaft	1	D1-2072	1	D1-2073	1	D1-1998
73	Idler Shaft	1	D1-1098	1	D1-1100	1	D1-1077
74	Gear, LH	1	P6-276	1	P6-274	1	P6-278
75	Gear, RH	1	P6-275	1	P6-273	1	P6-277
85	Locknut	2	D441-755	2	D441-755	2	D441-755
86	Pkg Gland Clip	2	D42-1	2	D42-1	2	D42-1
87	Pkg Gland	1	P10-178	1	P10-178	1	P10-178
89	Sq Hd Bolt, Pkg	2	G67-043250	2	G67-043250	2	G67-043250
	Sq Hd Bolt, Mech Seal	2	G67-043125	2	G67-043125	2	G67-043125
90	Spring Clip	1	D42-2	1	D42-2	1	D42-2
91	Pkg Set	1	N43-1	1	N43-1	1	N43-1
92	Pkg Washer	1	G8-246	1	G8-246	1	G8-246
93	Seal Retainer	1	D23-252	1	D23-252	1	D23-252
96	Mech Seal, Complete	1	G4-101	1	G4-101	1	G4-101
97	Ret Ring	1	G41-76	1	G41-76	1	G41-76

Backplate Assy includes Brz Brgs: (1) G5-257 and (1) G5-258

Faceplate Assy includes Brz Brgs: (2) G5-257